



5" and 9" Rectangular LED Worklamps

Introducing the Ignite 5" and 9" Rectangular LED Worklamps, designed to provide exceptional illumination in various applications.

With a wide voltage range of 9 - 36 Volts, these worklamps deliver a powerful 70° Flood (Spread) Beam Pattern, thanks to the 6 Watt High Intensity LumiLEDs and Ignite's patented Multi-Surface Polycarbonate TIR Optical System Reflector Technology with Lexan Polycarbonate Lens.

Built to last, they feature Electronic Thermal Management, over/under voltage protection, reverse polarity protection, a long LED lifespan, and are compliant with ECE R10, R23 CE Approval, EMC standards, and CISPR 25 Class 3 Certification.

With an IP68 and IP69K Rating and a 5-year warranty, the Ignite Rectangular LED Worklamps are a reliable choice for various applications, including as a worklamp, awning lamp, interior lamp, courtesy lamp, deck lamp, tub lamp, and even as an ECE approved reverse lamp.

Illuminate your workspace with confidence and trust in the durability and performance of Ignite Worklamps.

5" Rectangular LED Worklamp

- A 24 Watt output versatile lighting solution
- 5,700K colour temperature
- 1 Lux at 59 metres
- Current draw of 1.6amp at 12 Volts and 0.8amp at 24 Volts.
- 2,800 Raw Lumens and 2,200 Effective Lumens
- 4 x 6 Watt High Intensity LumiLEDs
- Peak beam density of 3,400cd

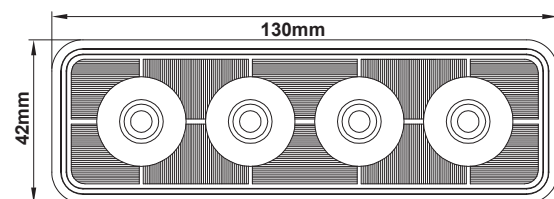
Part Number: IWL406F

The IWL406F worklamp is engineered with versatility in mind.

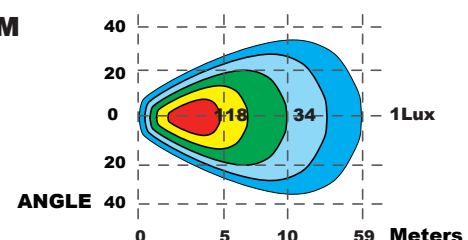
Its housing is angled at 35° downward, making it perfect for surface mount applications. Additionally, it comes with a rubber mounting block that further increases the angle to 48°, providing optimal lighting positioning.

The worklamp offers both flush mount and surface mount options, and it comes with stainless steel bolts and mounting hardware for secure installation.

For surface mounting, it includes a flat metal bracket that attaches to the back of the housing, along with stainless steel screws.

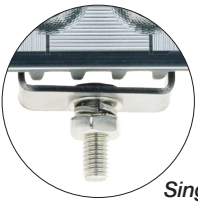


FLOOD BEAM

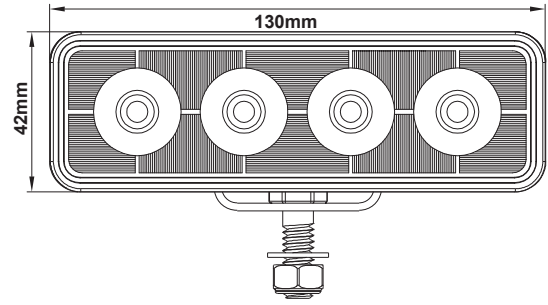


Part Number: IWL406F2

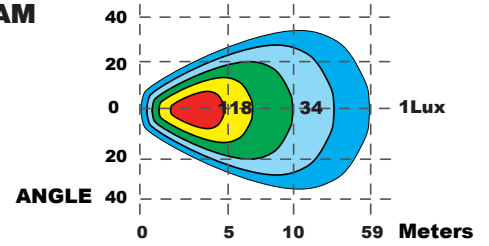
With the convenience of a single bolt mount, this worklamp can be securely placed wherever required.



Single Bolt Mount



FLOOD BEAM



9" Rectangular LED Worklamp

Part Number: IWL806F

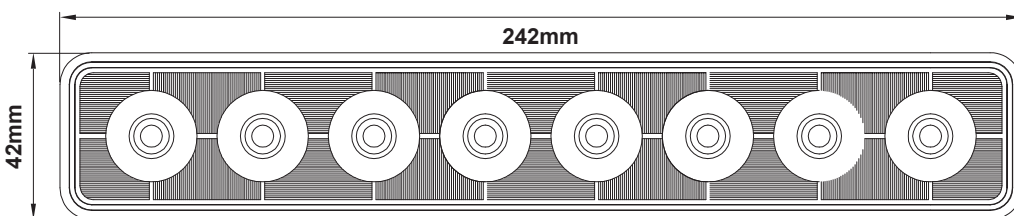
A powerful lighting solution with an exceptional 48 Watt output.

- 8 x 6 Watt High Intensity LumiLEDs LED's
- Colour temperature of 5,700K
- Peak beam density of 6,400cd
- 5,600 Raw Lumens and 4,700 Effective Lumens
- 1 Lux at 80 metres
- Current draw of 2.95amp at 12 Volts and 1.4amp at 24 Volts.

Its housing is angled at 35° downward, making it perfect for surface mount applications. Additionally, it comes with a rubber mounting block that further increases the angle to 48°, providing optimal lighting positioning.

The worklamp offers both flush mount and surface mount options, and it comes with stainless steel bolts and mounting hardware for secure installation.

For surface mounting, it includes a flat metal bracket that attaches to the back of the housing, along with stainless steel screws.



FLOOD BEAM

